

# TW533

## BenQ Projector



### Features

- Dual HDMI Inputs for Multiplatform Digital Connectivity
- 3300 ANSI Lumen High Brightness for Stunning Presentations
- 15,000:1 High Native Contrast for Crisp Readability
- Simple Setup, Intuitive Operation, and Hassle-Free Maintenance
- Eco-Friendly Low Total Cost of Ownership



### Product Specifications

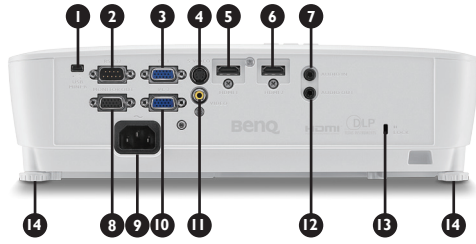
|                                   |  |   |
|-----------------------------------|--|---|
| <b>Technology</b>                 | Projection System  | DLP   |
|                                   | DMD type   | DC3   |
| <b>Image</b>                      | Native Resolution  | WXGA, 1280 x 800  |
|                                   | Brightness   | 3300 ANSI Lumens  |
|                                   | Contrast Ratio   | 15000 : 1   |
|                                   | Keystone Correction  | 1D, Vertical +/- 40 degrees   |
|                                   | Aspect Ratio   | Native 16 : 10 (5 aspect ratios selectable)   |
|                                   | Light Source   | UHP 203W  |
|                                   | Light Source life*   | 4500 / 6000 / 10000 hours   |
| <b>Optical</b>                    | Throw Ratio  | 1.55 - 1.86   |
|                                   | Projection Offset  | Vertical: 104%±2.5% (Full image height)   |
|                                   | Zoom Ratio   | 1.2 x   |
|                                   | Lens   | F=2.46-2.66, f=21.8-25.6  |
|                                   | Projection Size  | 60"~300"  |
| <b>Compatibility</b>              | Resolution Support   | VGA (640 x 480) to WUXGA_RB (1920 x 1200) *RB = Reduced blanking  |
|                                   | Horizontal Frequency   | 15K - 102KHz  |
|                                   | Vertical Scan Rate   | 23 - 120Hz  |
|                                   | HDTV Compatibility   | 480i, 480p, 576i, 576p, 720p, 1080i, 1080p  |
|                                   | Video Compatibility  | NTSC, PAL, SECAM  |
|                                   | 3D Compatibility ** (Please refer to User Manual for detailed support timing.) | Frame Sequential: Up to 60Hz 720p<br>Frame Packing: Up to 24 Hz 1080p<br>Side by Side: Up to 24Hz 1080p<br>Top Bottom: Up to 60Hz 1080p   |
| <b>Advanced Feature Interface</b> | Security   | Security bar / Kensington Security Slot   |
|                                   | Computer input (D-sub 15pin)   | x 2 (integrated with component)   |
|                                   | HDMI   | x 2   |
|                                   | Monitor output   | x 1   |
|                                   | Composite Video input (RCA)  | x 1   |
|                                   | S-Video input  | x 1   |
|                                   | Audio input (Mini Jack)  | x 1   |
|                                   | Audio output (Mini Jack)   | x 1   |
|                                   | Speaker  | 2W x 1  |
|                                   | USB (Type mini B)  | x 1   |
|                                   | RS232 (DB-9pin)  | x 1   |
|                                   | IR Receiver  | x 1 (front)   |
| <b>General</b>                    | Power Consumption  | 260W (Max), 252W (Normal), 211W (Eco), Standby <0.5W  |
|                                   | Power Supply   | AC100 to 240V, 50 to 60 Hz  |
|                                   | Product Dimensions   | 332.4 x 99 x 214.3 mm   |
|                                   | Product Weight   | 2.41 Kg   |
|                                   | Noise Level  | 32 / 29 dBA (Normal / Economic mode)  |
|                                   | On Screen Display Language   | Arabic / Bulgarian / Croatian / Czech / Danish / Dutch / English / Finnish / French / German / Greek / Hindi / Hungarian / Italian / Indonesian / Japanese / Korean / Norwegian / Polish / Portuguese / Romanian / Russian / Simplified Chinese / Spanish / Swedish / Turkish / Thai / Traditional Chinese (28 Languages) |
|                                   | Accessories  | Standard<br>Remote Control with Battery (5JjG706.001)<br>Warranty Card<br>Power Cord<br>VGA cable<br>Quick Start Guide (4JjG701.001)<br>Optional<br>Spare Lamp Kit (5JjG705.001)<br>3D Glasses<br>Ceiling mount<br>Dust Filter  |

Lamp in this product contains mercury. To dispose of the product or used lamps, consult your local environmental authorities for regulations or see [www.lamprecycle.org](http://www.lamprecycle.org).

\*Lamp life results will vary depending on environmental conditions and usage. Actual product's features and specifications are subject to change without notice.

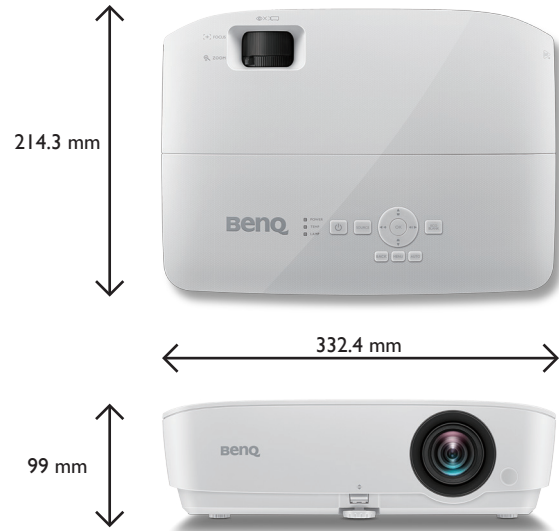
\*\* Default mode is Presentation. When 3D is on, Picture Modes only shows 3D. When 3D is off, it is not shown in Picture Modes.

## Input and Output Terminals

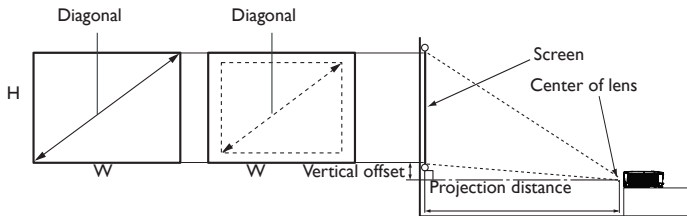


- |                         |                              |
|-------------------------|------------------------------|
| ① USB Mini B input jack | ⑧ Monitor output             |
| ② RS-232 control port   | ⑨ AC power cord inlet        |
| ③ Computer in 1 (D-sub) | ⑩ Computer in 2 (D-sub)      |
| ④ S-Video               | ⑪ Composite Video input jack |
| ⑤ HDMI 1                | ⑫ Audio output jack          |
| ⑥ HDMI 2                | ⑬ Rear IR remote sensor      |
| ⑦ Audio input jack      | ⑭ Rear adjuster foot         |

## Dimensions



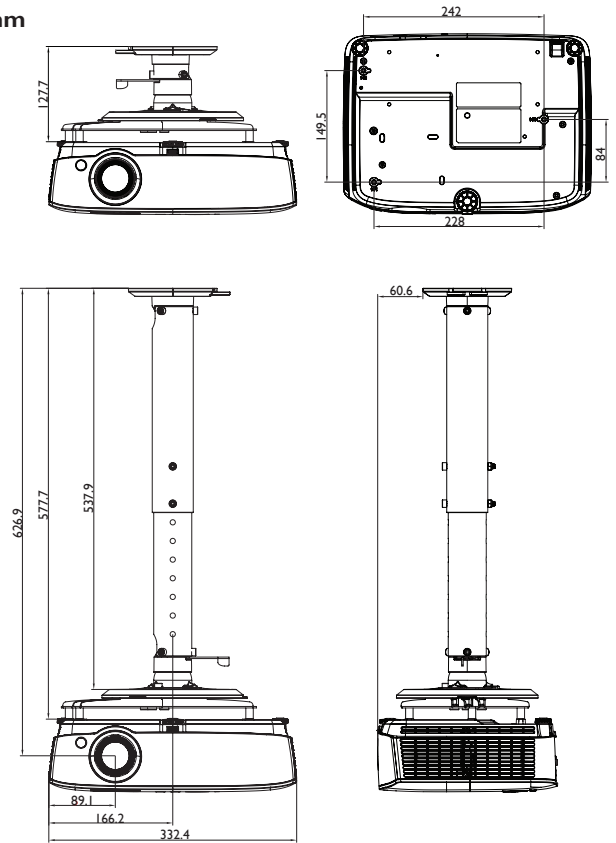
## Distance Chart



| Screen size |      |      | Distance from screen (mm) |         |                        |       | Vertical offset (mm) |
|-------------|------|------|---------------------------|---------|------------------------|-------|----------------------|
| Diagonal    | W    | H    | Min length (max. zoom)    | Average | Max length (min. zoom) |       |                      |
| 35          | 889  | 775  | 436                       | 992     | 1100                   | 1209  | 30                   |
| 40          | 1016 | 886  | 498                       | 1133    | 1257                   | 1381  | 34                   |
| 50          | 1270 | 1107 | 623                       | 1417    | 1572                   | 1727  | 43                   |
| 60          | 1524 | 1328 | 747                       | 1700    | 1886                   | 2072  | 51                   |
| 80          | 2032 | 1771 | 996                       | 2267    | 2515                   | 2763  | 68                   |
| 100         | 2540 | 2214 | 1245                      | 2834    | 3144                   | 3454  | 86                   |
| 120         | 3048 | 2657 | 1494                      | 3400    | 3772                   | 4144  | 103                  |
| 150         | 3810 | 3321 | 1868                      | 4250    | 4715                   | 5180  | 128                  |
| 200         | 5080 | 4428 | 2491                      | 5667    | 6287                   | 6907  | 171                  |
| 220         | 5588 | 4870 | 2740                      | 6234    | 6916                   | 7598  | 188                  |
| 250         | 6350 | 5535 | 3113                      | 7084    | 7859                   | 8634  | 214                  |
| 300         | 7620 | 6641 | 3736                      | 8501    | 9431                   | 10361 | 257                  |

## Mount Chart

Ceiling mount screw: M4  
(Max L = 25 mm; Min L=20 mm)  
Unit: mm



## BenQ Europe B.V.

Meerenakkerweg 1-17  
5652 AR Eindhoven  
The Netherlands  
Tel: +31 88 8889200  
Fax: +31 88 8889299

BenQ.eu

